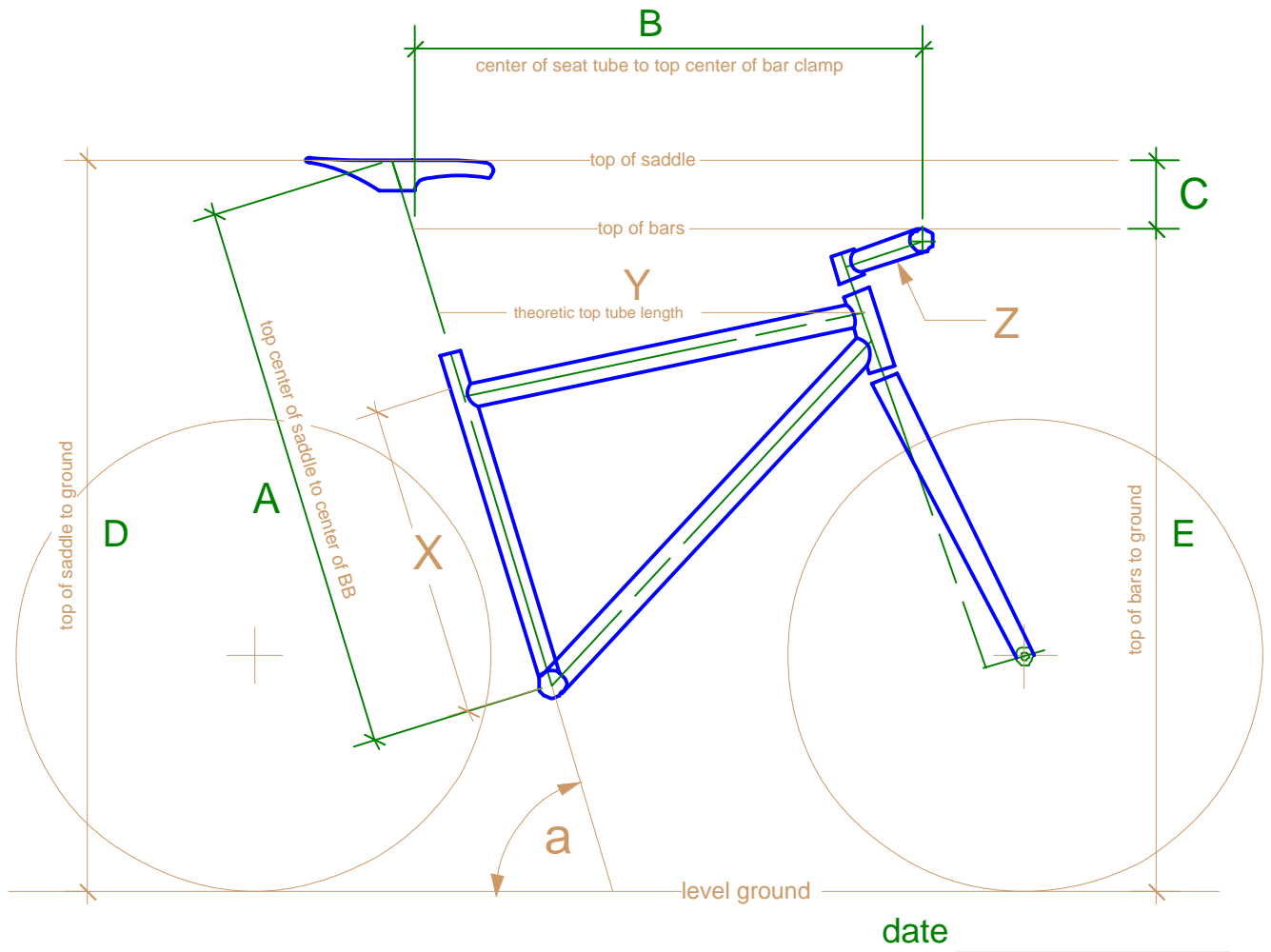


Kelly® fit sheet

mtb/29"



cockpit dimensions

A _____
 B _____
 C _____
 D _____
 E _____

optional info

X _____
 Y _____
 Z _____
 a _____

notes _____

customer info

name _____ email _____
 address _____
 city _____ state _____ zip _____
 phone _____
 fax _____

customer signature _____