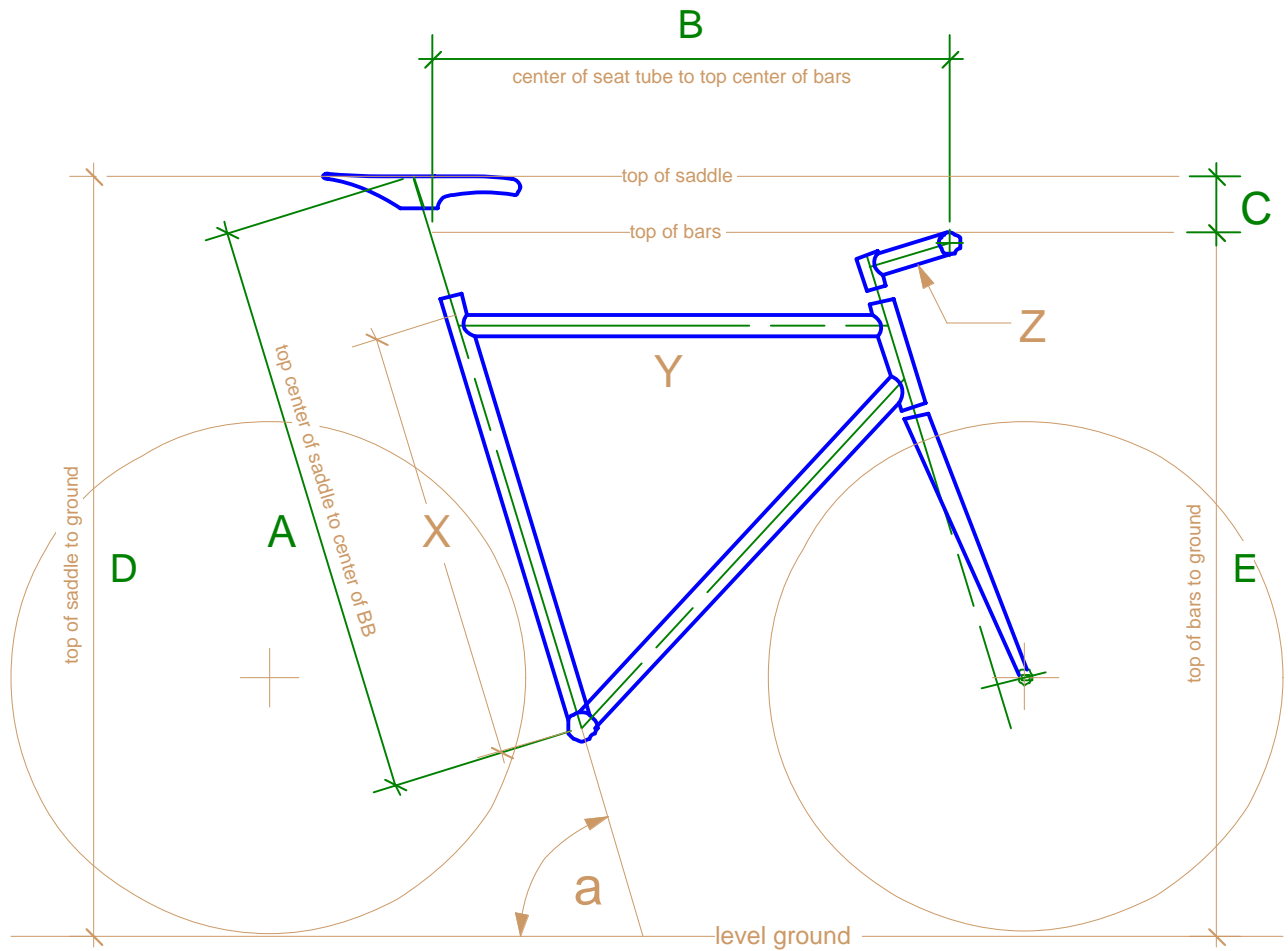


# Kelly® fit sheet

road/cx



date \_\_\_\_\_

cockpit dimensions

A \_\_\_\_\_  
 B \_\_\_\_\_  
 C \_\_\_\_\_  
 D \_\_\_\_\_  
 E \_\_\_\_\_

optional info

X \_\_\_\_\_  
 Y \_\_\_\_\_  
 Z \_\_\_\_\_  
 a \_\_\_\_\_

notes \_\_\_\_\_  
 \_\_\_\_\_  
 \_\_\_\_\_  
 \_\_\_\_\_  
 \_\_\_\_\_

customer info

name \_\_\_\_\_ email \_\_\_\_\_  
 address \_\_\_\_\_  
 city \_\_\_\_\_ state \_\_\_\_\_ zip \_\_\_\_\_  
 phone \_\_\_\_\_  
 fax \_\_\_\_\_

\_\_\_\_\_ customer signature